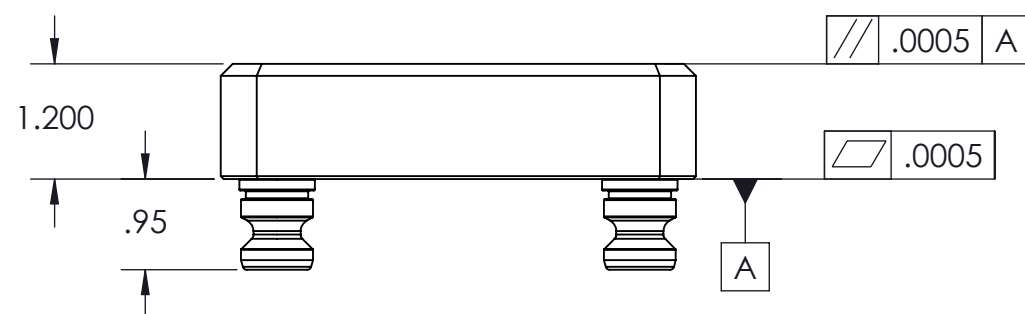
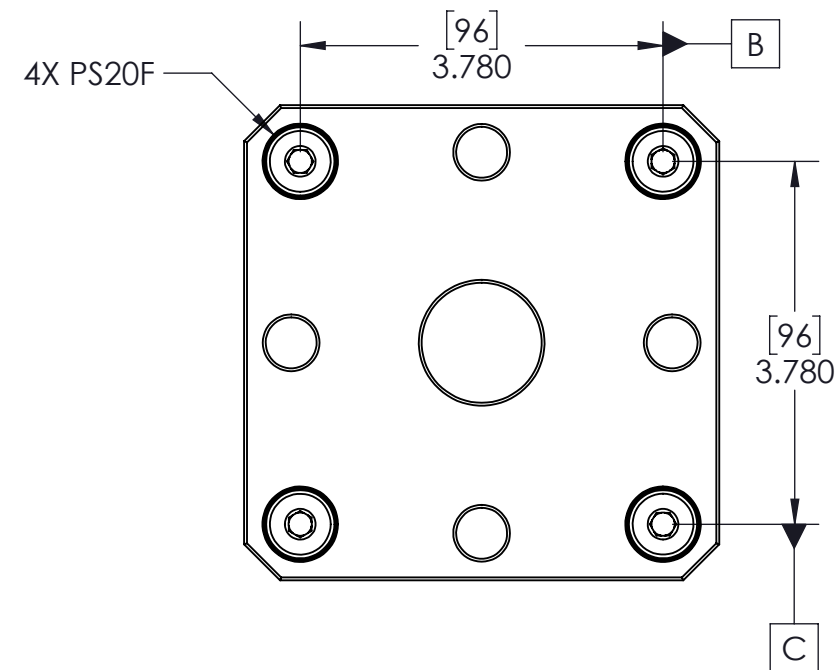
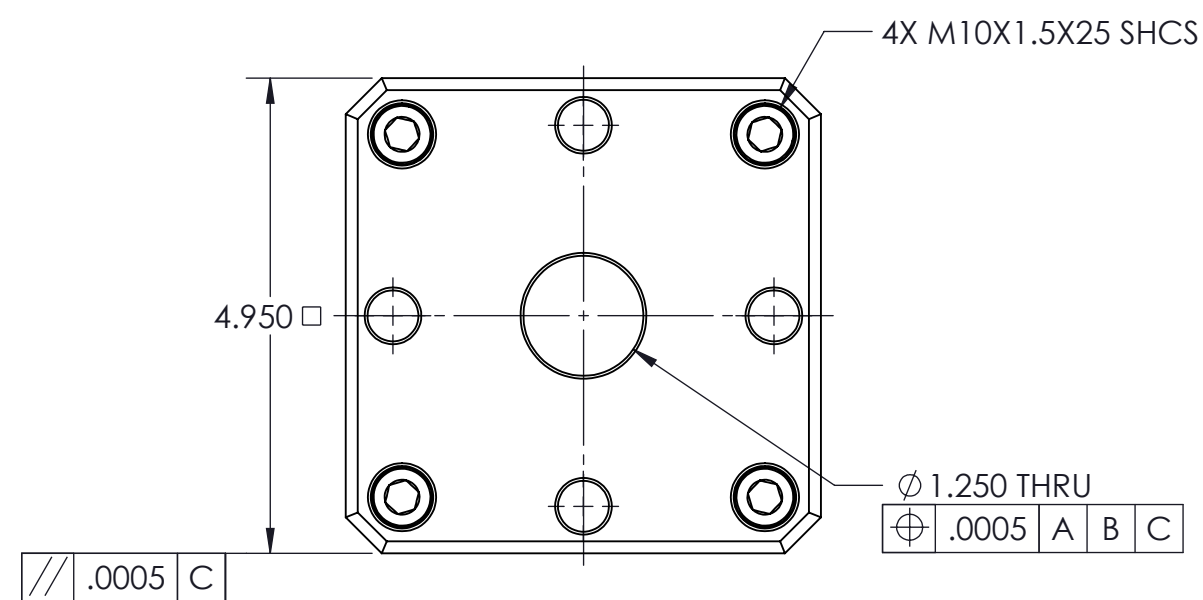
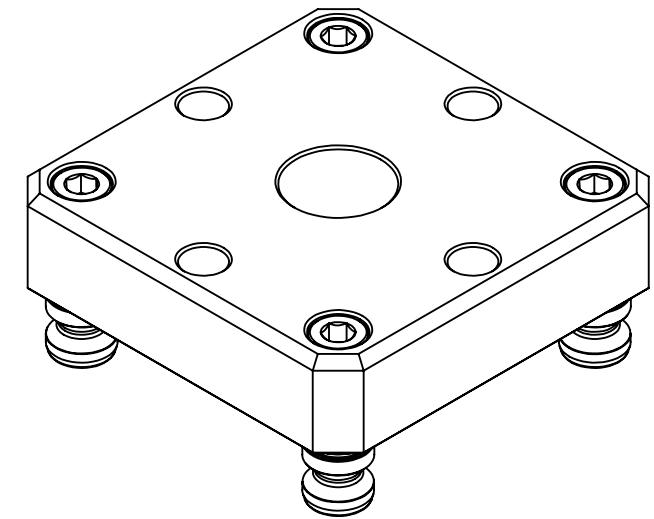


8 7 6 5 4 3 2 1

RL96-MP



| | | | | |
|---|--|--|--|-----------------------------|
| INCH <small>DRAWN IN ACCORDANCE WITH ASME Y14.5-2009</small> PROPRIETARY AND CONFIDENTIAL <small>THE INFORMATION CONTAINED IN THIS DRAWING IS THE SOLE PROPERTY OF FIFTH AXIS, INC. ANY REPRODUCTION IN PART OR AS A WHOLE WITHOUT THE WRITTEN PERMISSION OF FIFTH AXIS, INC. IS PROHIBITED.</small> | TOLERANCES <small>UNLESS OTHERWISE SPECIFIED</small> X ± 0.1 .XX ± 0.01 .X ± 0.05 .XXX ± 0.005 ANGULAR ± 0.5° | <small>WWW.FIFTHAXIS.COM</small> 7140 ENGINEER ROAD SAN DIEGO, CA 92111 P (858) 505-0432 F (858) 505-9344 | | |
| | <small>THIRD ANGLE PROJECTION</small> | | DESCRIPTION ROCKLOCK™ 96MM MASTER PALLET | |
| SIZE B | PART NO. RL96-MP | REV | | |
| <small>DO NOT SCALE DRAWING</small> | | <small>SCALE 1:2</small> | <small>WEIGHT:</small> | <small>SHEET 1 OF 1</small> |

8 7 6 5 4 3 2 1